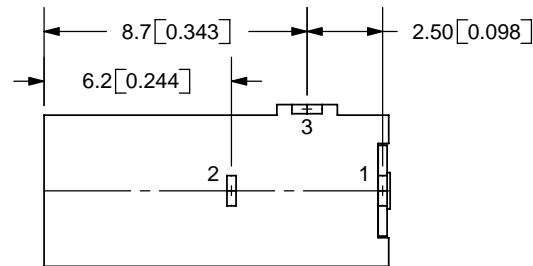
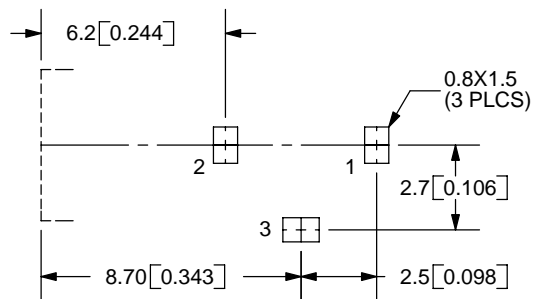
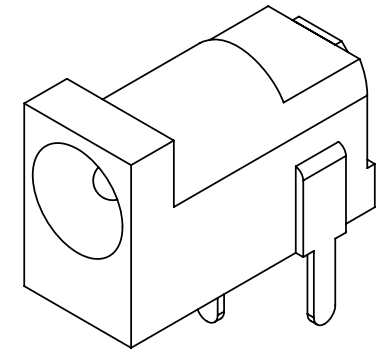
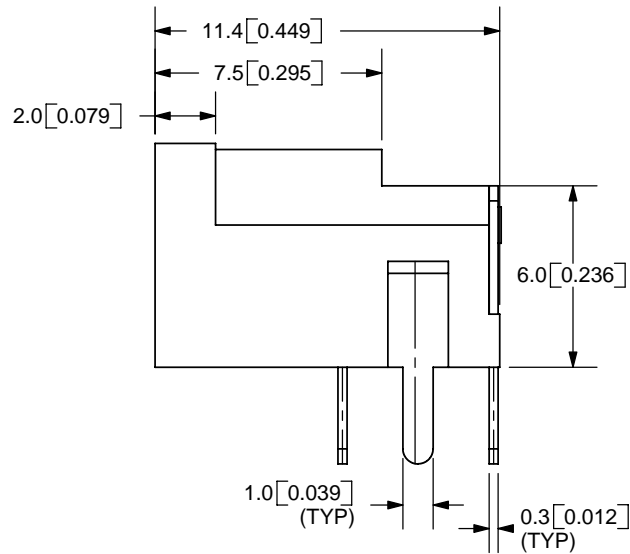
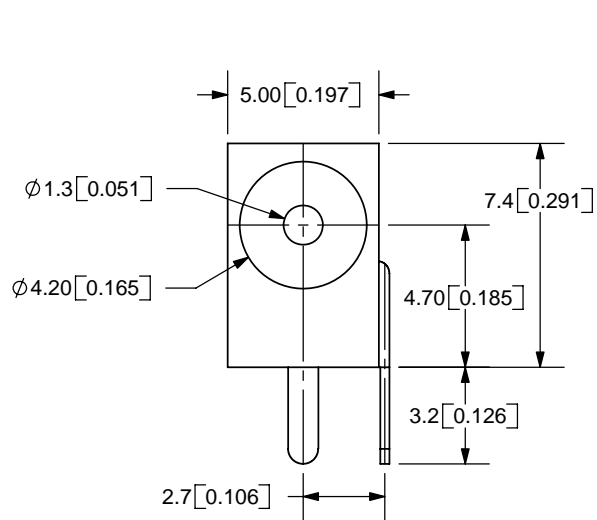


| | | |
|------|-------------|-----------|
| REV. | DESCRIPTION | DATE |
| A | NEW DRAWING | 4/17/2006 |



TOLERANCE:
X.X ±0.2mm
X.XX ±0.1mm
X.XXX ±0.05mm



PCB LAYOUT
TOP VIEW

| | |
|-----------|--------|
| MODEL NO. | PJ-007 |
| SCHEMATIC | |

CENTER PIN DIAMETER 1.3mm Dia.

SPECIFICATIONS:
RATING: 12V DC @ 1A
CONTACT RESISTANCE: 30m OHMS MAX
INSULATION RESISTANCE: 100M OHMS MIN: 500V DC
VOLTAGE WITHSTAND: 500V AC R.M.S. FOR 1 MINUTE
LIFE: 5,000 CYCLES

| | MATERIAL | PLATING |
|------------|----------|---------|
| CENTER PIN | Brass | Nickel |
| TERMINAL 1 | Brass | Silver |
| TERMINAL 2 | PBS | Silver |
| TERMINAL 3 | Brass | Silver |
| HOUSING | PBT | |



9615 SW Allen Blvd., Ste. 103
Beaverton, OR 97005
Phone: 503-643-4899
800-275-4899
Fax: 503-372-1266
Website: www.cui.com

| | | | |
|-----------|---------------|--------------|-------------|
| TITLE: | DC POWER JACK | REV: | A |
| PART NO. | PJ-007 | UNITS: | MM [INCHES] |
| DRAWN BY: | ZRJ | APPROVED BY: | |
| | | SCALE: | 4:1 |

PC FILE NAME:
PJ-007

COPYRIGHT 2006 BY CUI INC.